

TRIANGO
LED TREATMENT LIGHTS



reddot design award
winner 2012

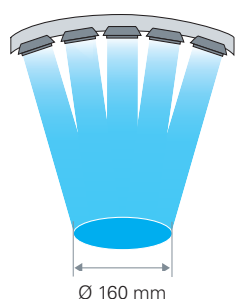


HIGH-PERFORMANCE
OPTICS
LED TECHNOLOGY

TRIANGO. FOR YOU AND YOUR PATIENTS.

The modern shape of the D^{med}® triango follows the maxim "Keep it smart and simple" and fits this motto with functionality: elegant design together with the latest LED technology – fit to work in today's work environment. Illuminance, color temperature and color rendering are tailored to the many needs of everyday clinical practice.

- excellent color rendering
thanks to a color temperature of 4500K, a pleasant light field with high-contrast and high color rendition is created (Ra>95)
- Approved for doctor's offices and hospitals
 - DIN EN 60601
 - DIN EN 60601-2-41
- energy-saving
durable and economical thanks to highly efficient LED technology, high-quality components and a robust design
- homogeneous light field
optimal guidance and convergence of light; free of reflections, shadows and glare
- for left- and right-handed use



Ø 160 mm

efficient *light*

Light field
1.0 m – Ø 16 cm



maximum freedom of movement
for the best light availability



reddot design award
winner 2012



continuously dimmable using a rotary knob, ranging from 10 to 100%



unique optics for high light output:
60,000 Lux / 1.0 meters



hygienic
removable and sterilizable handle



The lights provide the greatest possible range of motion thanks to far-reaching arms and turnover axes. Using spring balanced articulated arms each position is continuously adjustable and lockable. The smooth, seamless surface and sterilizable handle makes it easy to clean the D^{med}® triango. Finally high-performance optics, high-quality workmanship and components ensure a long service life.

TRIANGO compact

- easy and secure bi-manual positioning
- maximum operating range
- simple cleaning and maintenance
- high-quality, long lasting LED's
- low radiation of heat
- homogeneous light field
(Ø16 cm, 60 000 Lux / 1.0 meter)



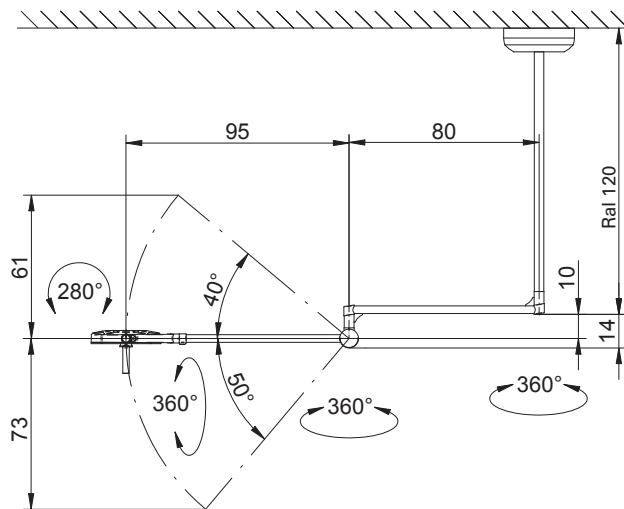
EFFICIENCY. ERGONOMICS. DESIGN.
ALL THREE IN HARMONY.



TRIANGO



Ceiling version

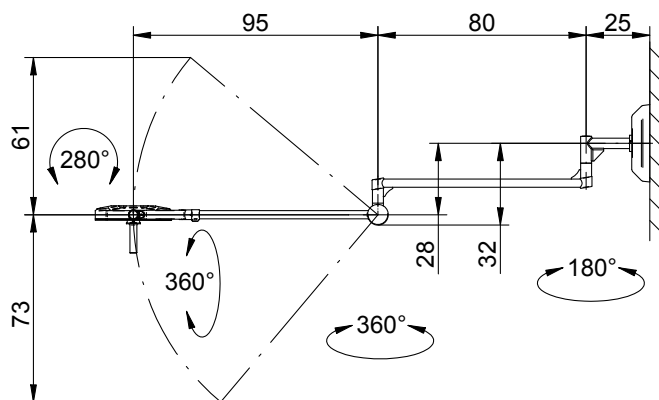


triango 30 C

TRIANGO – CEILING VERSION			ORDER NO.
triango 30 C	Pure white	Fixed Connection	D15.170.000



Wall version

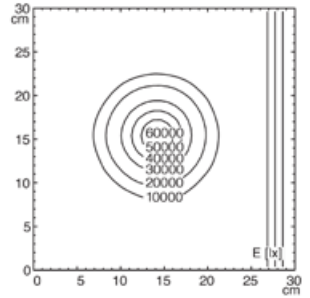
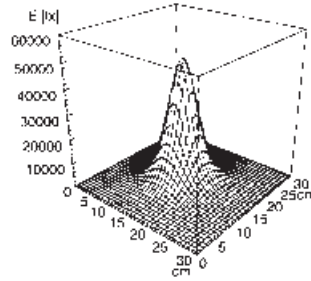


triango 30 W

TRIANGO – WANDVERSION			ORDER-NO.
triango 30 W	Pure white	Fixed Connection	D15.175.000

TRIANGO technology

Light output	60 000 Lux / 1.0 m *
Colour temperature	approx. 4500 K *
Light field (1,0 m distance)	Ø 16 cm *
Depth of illumination	1.2 m *
Colour rendering	Ra > 95
Operation	Control knob on the luminaire head
Accessories	Sterilizable Handle
Protection class	I
Standards	EN 60601-1, EN 60601-2-41
IP Protection class	EN 43
Features	Continuous dimming, maintenance-free

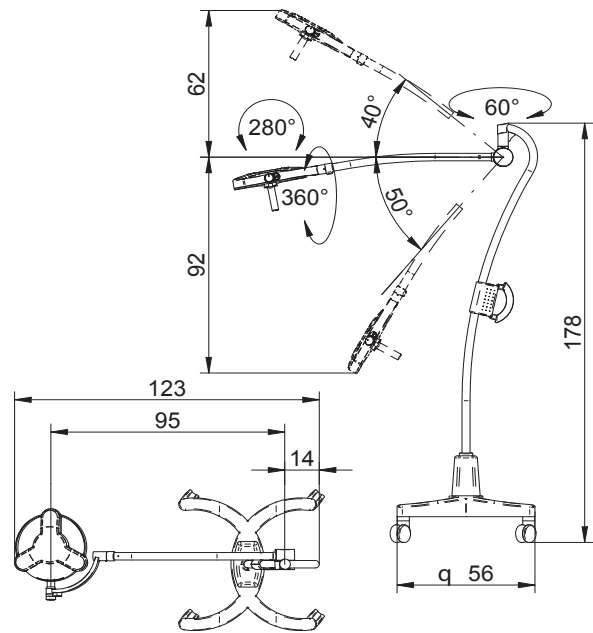


* -10%/+20% tolerance



Roller stand

Roller stand with battery



triango 30 F

TRIANGO – ROLLER STAND			ORDER NO.
triango 30 F	Pure white	Schuko	D15.171.000
triango 30 F	Pure white	CH	D15.172.000
triango 30 F	Pure white	UK	D15.173.000

TRIANGO – ROLLER STAND BATTERY			ORDER NO.
triango 30 F Battery	Pure white	Schuko	D15.421.000
triango 30 F Battery	Pure white	CH	D15.422.000
triango 30 F Battery	Pure white	UK	D15.423.000

OWN SALES BRANCHES

GERMANY

Herbert Waldmann GmbH & Co. KG
PO Box 5062
78057 Villingen-Schwenningen
Germany
Phone +49 7720 601 100
Fax +49 7720 601 290
www.waldmann.com
sales.germany@waldmann.com

SWEDEN

Waldmann Ljusteknik AB
Skebokvarnsvägen 370
124 50 Bandhagen
Sweden
Phone +46 8 990 350
Fax +46 8 991 609
www.waldmann.com
info-se@waldmann.com

SWITZERLAND

Waldmann Lichttechnik GmbH
Benkenstrasse 57
5024 Küttigen
Switzerland
Phone +41 62 839 12 12
Fax +41 62 839 12 99
www.waldmann.com
info-ch@waldmann.com

USA

Waldmann Lighting Company
9, W. Century Drive
Wheeling, Illinois 60090
USA
Phone +1 847 520 1060
Fax +1 847 520 1730
www.waldmannlighting.com
waldmann@waldmannlighting.com

AUSTRIA

Waldmann Lichttechnik Ges.m.b.H
Gewerbepark Wagram 7
4061 Pasching/Linz
Austria
Phone +43 7229 67 400
Fax +43 7229 67 444
www.waldmann.com
info-at@waldmann.com

SINGAPORE

Waldmann Lighting Singapore Pte. Ltd.
22 Cross Street
#02-50/51
South Bridge Court
Singapore 048421
Singapore
Phone +65 6275 8300
Fax +65 6275 8377
www.waldmann.com
sales-sg@waldmann.com

FRANCE

Waldmann Eclairage S.A.S
Z.I. - Rue de l'Embranchement
67116 Reichstett
France
Phone +33 3 8820 95 88
Fax +33 3 8820 95 68
www.waldmann.com
info-fr@waldmann.com

CHINA

Waldmann Lighting (Shanghai) Co. Ltd.
Part A11a, No. Five Normative Workshop
199 Changjian Road, Baoshan
Shanghai, P.R.C. 200949
China
Phone +86 21 5169 1799
Fax +86 21 3385 0032
www.waldmann.com
info@waldmann.com.cn

ITALY

Waldmann Illuminotecnica S.r.l.
Via della Pace, 18 A
20098 San Giuliano Milanese (MI)
Italy
Phone +39 02 98 24 90 24
Fax +39 02 98 24 63 78
www.waldmann.com
info-it@waldmann.com

INDIA

Waldmann Lighting PVT. Ltd.
Plot No. 52
Udyog Vihar
Phase-VI, Sector-37
GURGAON-122001, Haryana
India
Phone +91 124 412 1600
Fax +91 124 412 1611
www.waldmann.com
sales-in@waldmann.com

NETHERLANDS

Waldmann BV
Lingewei 19
4004 LK Tiel
Netherlands
Phone +31 344 631 019
Fax +31 344 627 856
www.waldmann.com
info-nl@waldmann.com

Derungs Licht AG

Hofmattstrasse 12
9200 Gossau
Switzerland
Phone +41 71 388 11 66
Fax +41 71 388 11 77
www.derungslicht.com
mailbox@derungslicht.com

Derungs Licht AG is a member of the Waldmann Group.



Additional distributors can be found at: www.derungslicht.com