
AMALIA
THE READING LIGHT



reddot design award
winner 2012



AMALIA.
CHARMING DESIGN.
ROBUST CONSTRUCTION.



reddot design award
winner 2012



Intuitive operation for the amber night light

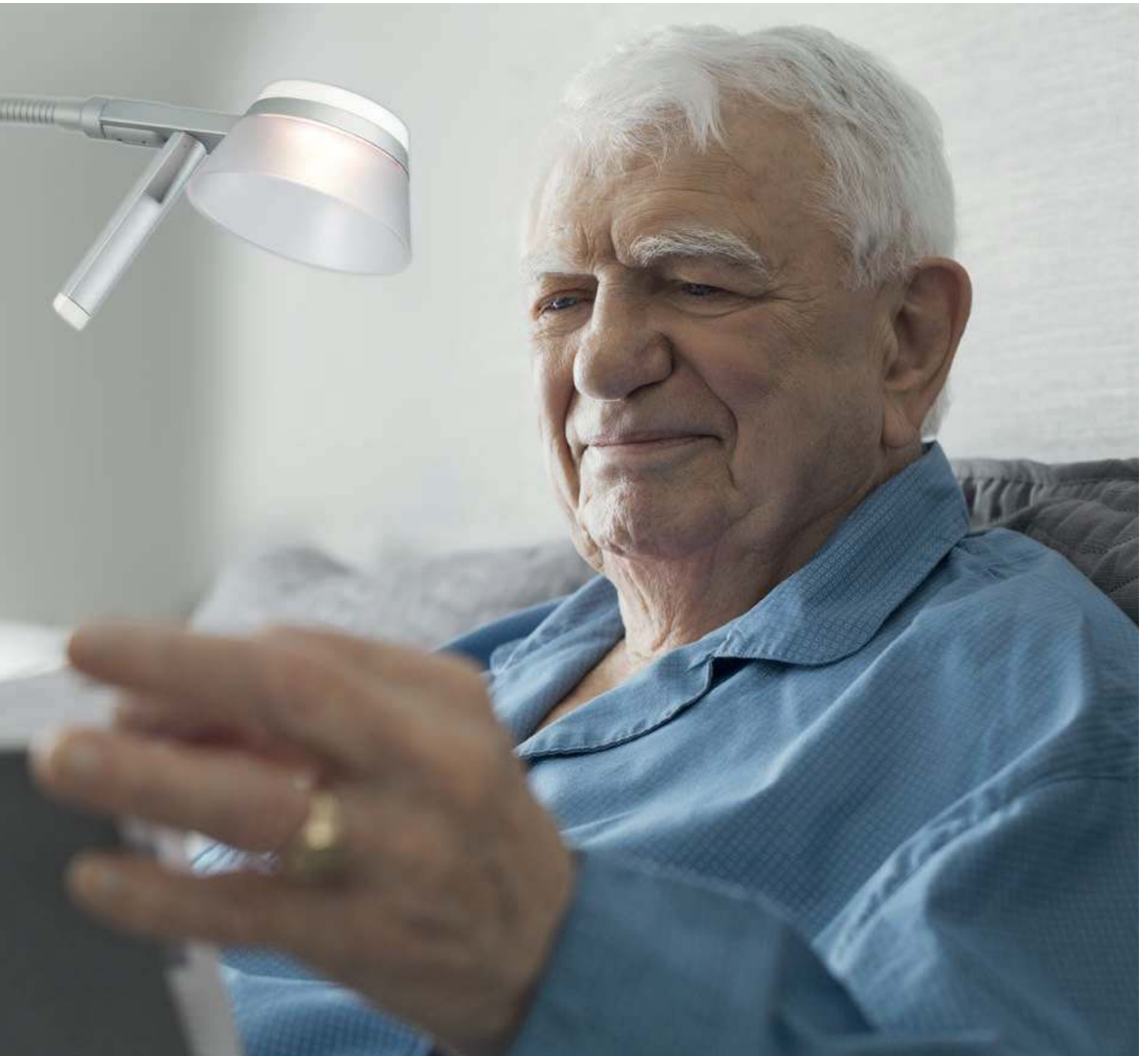


Handle with illuminated ON/OFF button
for the reading light



360° turnover axis and flexible goose neck
for the reading light





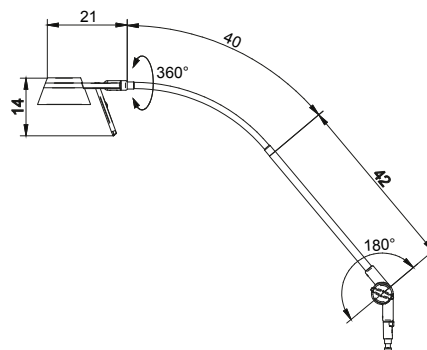
The AMALIA beside reading and care light blends harmoniously into any environment to accompany daily life with a pleasant, minimalist elegance and ease.

The ergonomic handle with its illuminated ON/OFF button makes the AMALIA easy to operate and position. Additional comfort is provided by the 360° turnover axis, the mobile goose neck and the innovative friction joint, which all make rotating and moving the light simple and effortless.

Not just a reliable light in care situations or when reading in bed, the AMALIA can also be used as an indirect light source if desired.

Warm white LEDs create a 45 cm, bright and uniform light field of 1000 lux. Scared of the dark? Quickly need to find your way? Use the button on the luminaire head to switch the amber night light on and off.

AMALIA



AMALIA 9 P S4

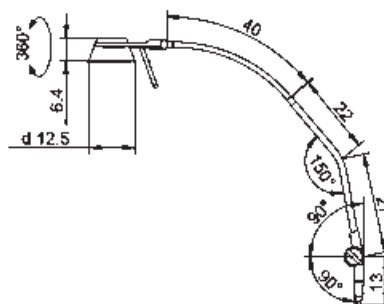
Order no.

AMALIA 9 P S4

D15.250.000

AMALIA 9 P S4, Dewert

D15.543.000

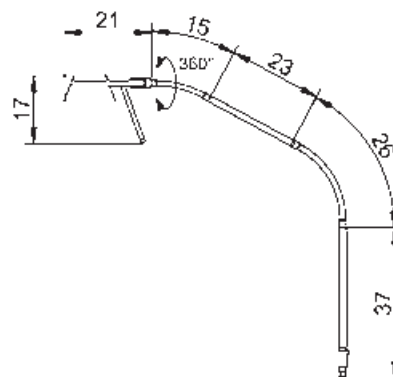


AMALIA 9 P S4 clinic

Order no.

AMALIA 9 P S4 clinic

D15.360.000



AMALIA 9 P S7

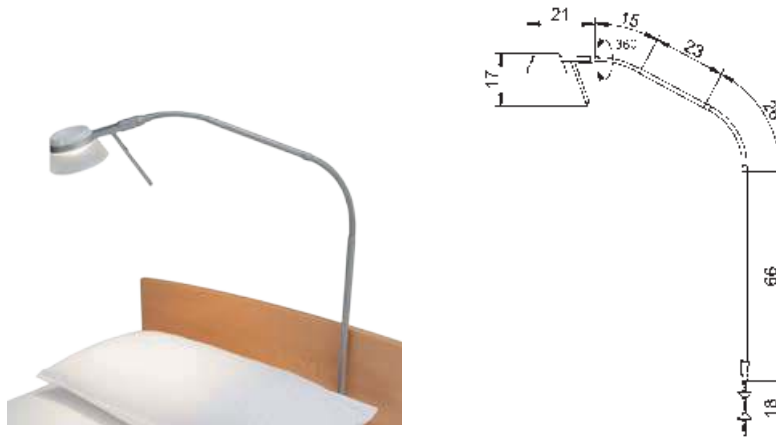
Order no.

AMALIA 9 P S7

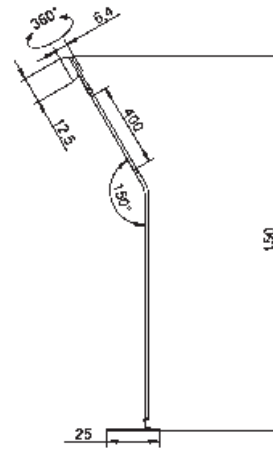
D15.251.000

AMALIA 9 P S7, Dewert

D15.541.000



| AMALIA 9 B S8 | Order no. |
|-----------------------|-------------|
| AMALIA 9 B S8 | D15.252.000 |
| AMALIA 9 B S8, Dewert | D15.542.000 |



| AMALIA 9 F S3 (30°) | Order no. |
|--------------------------------------|-------------|
| AMALIA 9 F S3 (30°) - white aluminum | D15.382.000 |
| AMALIA 9 F S3 (30°) - pure white | D15.383.000 |

AMALIA compact

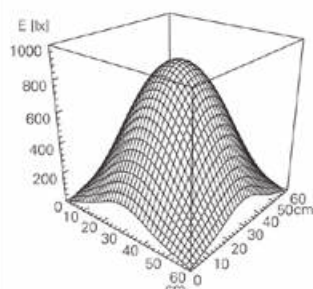
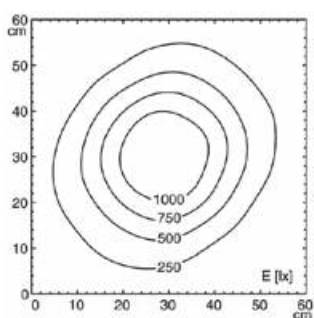
- Operation using backlit button
- Luminaire head can be turned by 360°
- Simple positioning thanks to goose neck linkage
- Cozy, elegant design
- Satinized lampshade
- Fulfillment of normative requirements EN 60598-1 and EN 60598-2-25

AMALIA technology

| | |
|--------------------------|----------------------------------|
| Illumination intensity | 1,000 lx / 0.5 m* |
| Color temperature | 3,000 K * |
| Illumination field 0.5 m | Ø 450 mm * |
| Light color | approx. 3,000 K * |
| Color rendering | Ra >80 |
| Operation | I/O switch on the luminaire head |
| Standards | EN 60598-2-25 |

Features

- Rotary feedthrough (360° Turnover axis)
- Night light (LED)
- Different versions and ways to connect




* -10% / +20% tolerance

ACCESSORIES

* excluding the free-standing luminaire 9 F S3 (30°)


Rail mount*

| | Description | Material/Color | Weight | For Pin Ø | Order no. |
|---|---|--------------------------------|---------|------------------------------|--------------------|
|  | For equipment rails: 25-35 x 8-10 mm | Naturally anodized aluminum | 0.16 kg | 16 mm-W with safety catch | D13.269.000 |


Universal mount*

for beds

Connection to Dewert bed motor systems (on request)

| | Description | Material/Color | Weight | For Pin Ø | Order no. |
|--|---|--------------------|---------|-------------------------------|--------------------|
|  | Universal bed adapter for ISS Mounts at medical beds (support system for ISS poles, traction equipment) with integrated mounting | POM, steel, silver | 0.73 kg | 16 mm-W with removal guard | D14.193.000 |
| | Sleeve size: the adapter is designed for sleeves that are open on both sides with Ø 20-44 mm, length 35-170 mm Fastening pole length: 400 mm long with 16 mm-W-pin | | | | |

Wall bracket*

| | Description | Material/Color | Weight | For Pin Ø | Order no. |
|---|----------------|----------------------------|---------|---|--------------------|
|  | For wall mount | Polyamide GF Pure white | 0.14 kg | 16 mm-W with safety catch with cable hole | D13.231.000 |

Bedside table adapter*



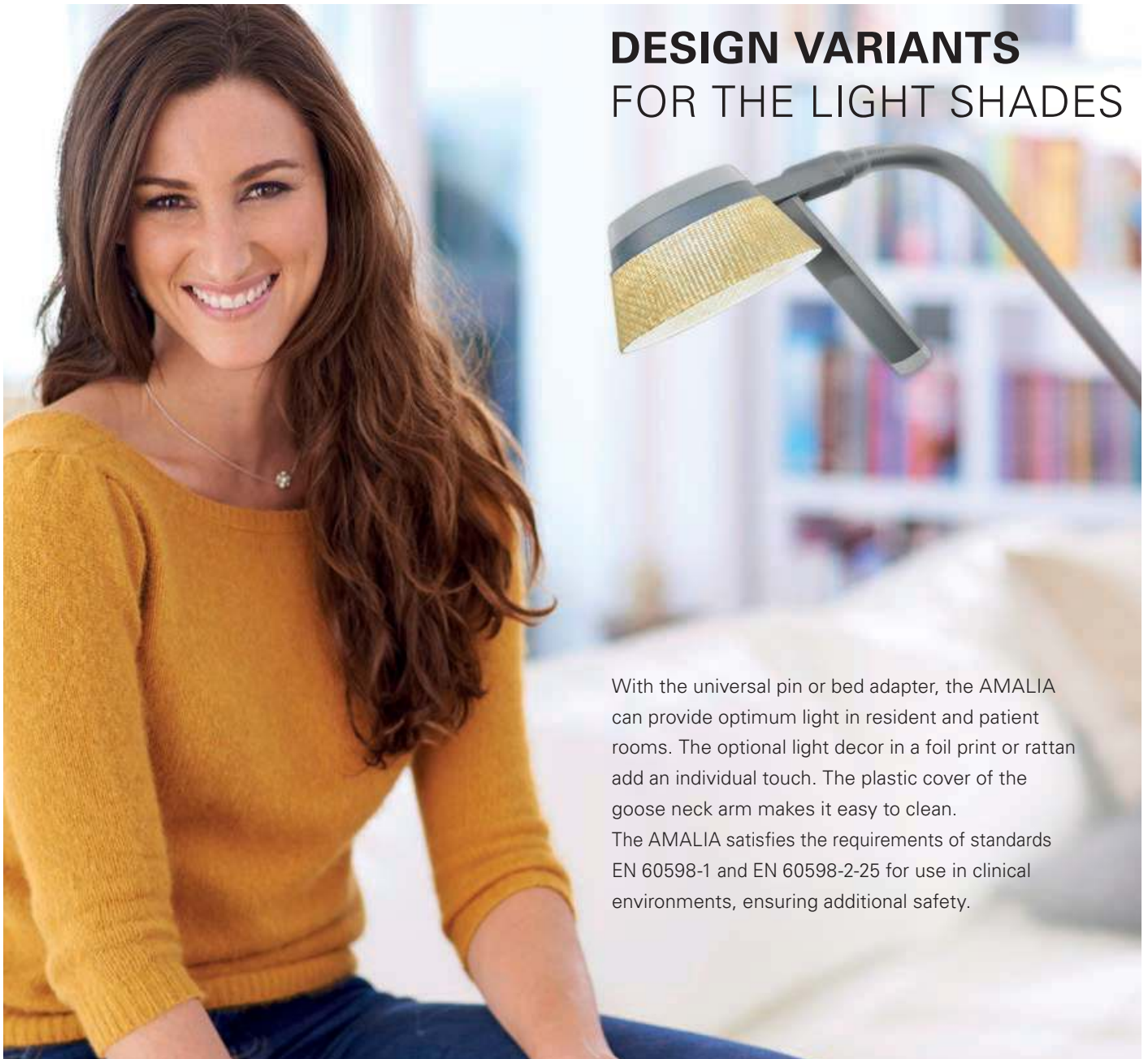
| | Description | Material/Color | Weight | For Pin Ø | Order no. |
|---|---|------------------------|---------|-------------------------------|--------------------|
|  | Extension adapter on the bedside table | Galvanized black steel | 0.02 kg | 16 mm-W with removal guard | D14.152.000 |

Table clamp*

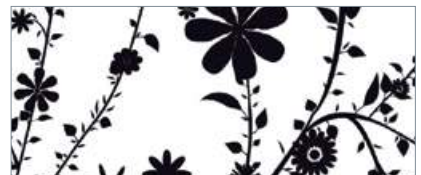
| | Description | Material/Color | Weight | For Pin Ø | Order no. |
|---|------------------------------|----------------------------------|----------|------------------------------|--------------------|
|  | Adjustable range: 0-70 mm | Painted polyamide steel Black | 0.350 kg | 16 mm-W with safety catch | D14.228.000 |



DESIGN VARIANTS FOR THE LIGHT SHADES

With the universal pin or bed adapter, the AMALIA can provide optimum light in resident and patient rooms. The optional light decor in a foil print or rattan add an individual touch. The plastic cover of the goose neck arm makes it easy to clean. The AMALIA satisfies the requirements of standards EN 60598-1 and EN 60598-2-25 for use in clinical environments, ensuring additional safety.

Decor for lampshade



D53.739.000

White shade, painted, washable

D53.718.000

Rattan shade, sewn, not washable

D53.719.000

Foil shade, glued on, washable

GERMANY HEAD OFFICE

Herbert Waldmann GmbH & Co. KG
 Postfach 50 62
 78057 VILLINGEN-SCHWENNINGEN
 GERMANY
 Phone +49 7720 601 -0
 Phone +49 7720 601 -100 (sales)
 Fax +49 7720 601-290
 www.waldmann.com
 sales.germany@waldmann.com

FRANCE

Waldmann Eclairage S.A.S.
 Zone Industrielle
 Rue de l'Embranchement
 67116 REICHHSTETT
 FRANCE
 Phone +33 3 88 20 95 88
 Fax +33 3 88 20 95 68
 www.waldmann.com
 info-fr@waldmann.com

ITALY

Waldmann Illuminotecnica S.r.l.
 Via della Pace, 18 A
 20098 SAN GIULIANO MILANESE (MI)
 ITALY
 Phone +39 02 98 24 90 24
 Fax +39 02 98 24 63 78
 www.waldmann.com
 info-it@waldmann.com

NETHERLANDS

Waldmann BV
 Lingewei 19
 4004 LK TIEL
 NETHERLANDS
 Phone +31 344 631019
 Fax +31 344 627856
 www.waldmann.com
 info-nl@waldmann.com

AUSTRIA

Waldmann Lichttechnik Ges.m.b.H.
 Gewerbepark Wagram 7
 4061 PASCHING/LINZ
 AUSTRIA
 Phone +43 7229 67400
 Fax +43 7229 67444
 www.waldmann.com
 info-at@waldmann.com

SWEDEN

Waldmann Ljusteknik AB
 Skebokvarnsvägen 370
 124 50 BANDHAGEN
 SWEDEN
 Phone +46 8 990 350
 Fax +46 8 991 609
 www.waldmann.com
 info-se@waldmann.com

SWITZERLAND

Waldmann Lichttechnik GmbH
 Benkenstrasse 57
 5024 KÜTTIGEN
 SWITZERLAND
 Phone +41 62 839 1212
 Fax +41 62 839 1299
 www.waldmann.com
 info-ch@waldmann.com

GREAT BRITAIN

Waldmann Lighting Ltd.
 10 Millfield House
 Croxley Green Business Park
 WATFORD WD18 8YX
 GREAT BRITAIN
 Phone +44 1923 800030
 Fax +44 1923 800016
 www.waldmann.com
 info-uk@waldmann.com

USA

Waldmann Lighting Company
 9 W. Century Drive
 WHEELING, ILLINOIS 60090
 USA
 Phone +1 847 520 1060
 Fax +1 847 520 1730
 www.waldmannlighting.com
 waldmann@waldmannlighting.com

CHINA

Waldmann Lighting (Shanghai) Co., Ltd.
 Part A11a, No. Five Normative Workshop
 199 Changjian Road, Baoshan
 SHANGHAI, P.R.C. 200949
 CHINA
 Phone +86 21 5169 1799
 Fax +86 21 3385 0032
 www.waldmann.com
 info-cn@waldmann.com

SINGAPORE

Waldmann Lighting Singapore Pte. Ltd.
 77A Neil Road
 SINGAPORE 088903
 SINGAPORE
 Phone +65 6275 8300
 Fax +65 6275 8377
 www.waldmann.com
 sales-sg@waldmann.com

INDIA

Waldmann Lighting Pvt. Ltd.
 Plot No. 52
 Udyog Vihar
 Phase-VI, Sector-37
 GURGAON-122001, Haryana
 INDIA
 Phone +91 124 412 1600
 Fax +91 124 412 1611
 www.waldmann.com
 sales-in@waldmann.com

Center of Expertise for Care & Health:

DERUNGS LICHT AG

Hofmattstrasse 12
 9200 Gossau
 Switzerland
 Phone +41 71 388 11 66
 Fax +41 71 388 11 77
 www.derungslicht.com
 mailbox@derungslicht.com

Derungs Licht AG is a member of the
 Waldmann Group.

