
CULTA LED
THE BEDSIDE READING LAMP







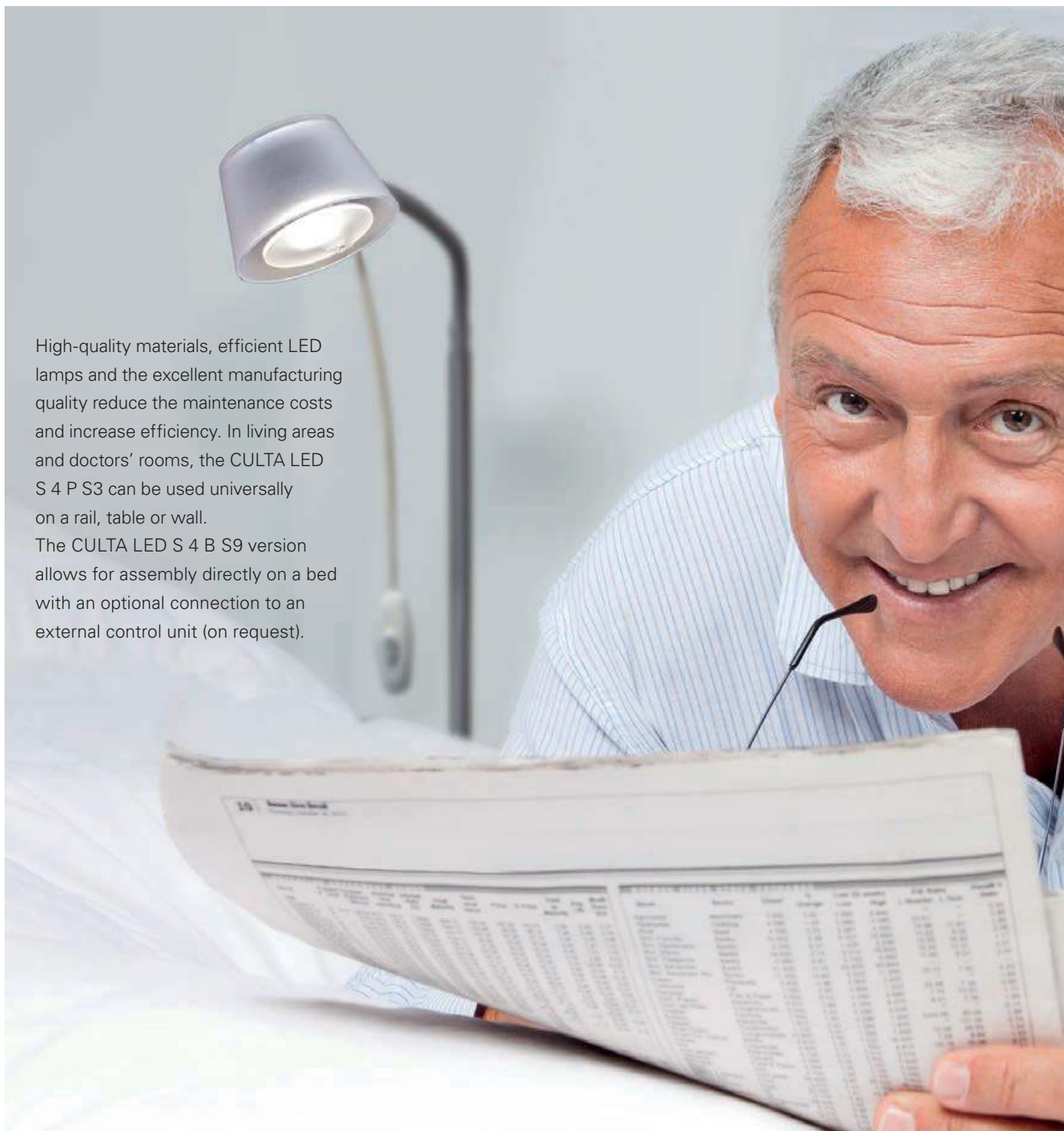
CULTA LED

SO BEAUTIFUL. SO COZY. SIMPLY CULTA.

The CULTA LED bedside reading lamp stands out with its minimalist optics and its solid construction. Thanks to intuitive operation it's easy for daily usage, adapting to the user's needs. Additional flexibility is provided by its bendy goose neck and rotating luminaire head, which makes it really simple to position the CULTA LED.

The extra large light field makes for relaxed reading with a pleasant light color – for more well-being and a cozy atmosphere.

The CULTA LED's transparent light head has an elegant effect and harmonizes with any interior design. Even for people with reduced mobility, the cord switch allows for easy operation of the luminaire. With 1,100 lux / 0.5 m, the CULTA LED makes for the best lighting conditions with very good color rendition.



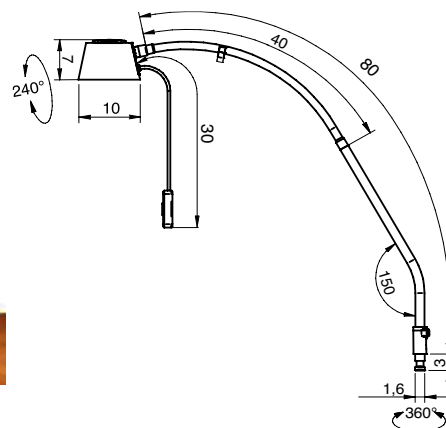
High-quality materials, efficient LED lamps and the excellent manufacturing quality reduce the maintenance costs and increase efficiency. In living areas and doctors' rooms, the CULTA LED S 4 P S3 can be used universally on a rail, table or wall. The CULTA LED S 4 B S9 version allows for assembly directly on a bed with an optional connection to an external control unit (on request).





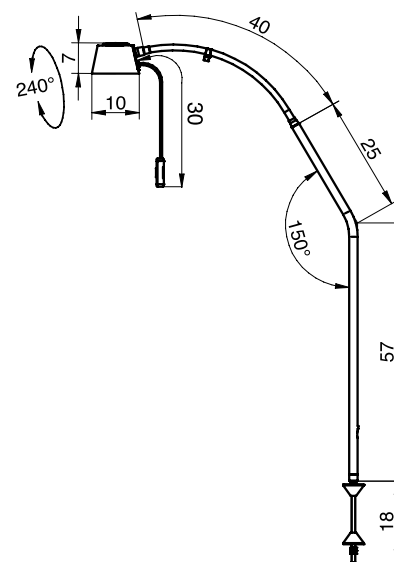
CULTA LED

BEDSIDE READING LAMP



CULTA LED S 4 P S3
Rail clamp or bedside table adapter

CULTA LED	ORDER NO.
CULTA LED S 4 P S3	D15.727.000



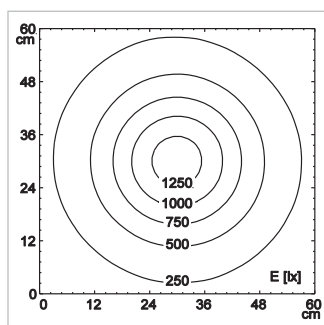
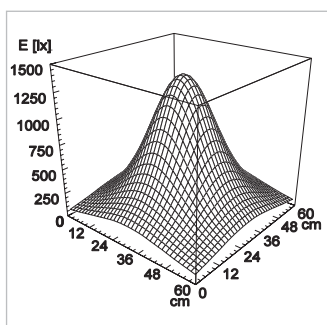
CULTA LED S 4 B S9
Fastening on the bed

Optional:
- Direct connection to external control unit

CULTA LED	ORDER NO.
CULTA LED S 4 B S9	D15.725.000
CULTA LED S 4 B S9, Dewert	D15.726.000

Measurement Distance 0.5 m

* -10% / +20% tolerance



Note:

The CULTA LED S 4 B S9 (D15725000 & D15726000) is fastened directly onto the bed. There is no accessory for this luminaire.

CULTA LED compact

- Luminaire head can be turned by 240°
- Simple positioning thanks to goose neck
- Cozy, elegant design
- Intuitive operation using the cord switch
- Satin lampshade
- Suitable for medical premises according to DIN 60598-2-25 and care facilities

CULTA LED technical

Illumination intensity	1,100 lx / 0.5 m*
Lighting field	Ø 600 mm
Light color	approx. 3,000 K*
Color rendering	Ra > 80
Power consumption	5.2 W

* -10% / +20% tolerance

ACCESSORY FOR THE CULTA LED S 4 P S3 (D15.727.000)



UNIVERSAL BED ADAPTOR

Description	Universal bed adaptor for ISS Mounts at medical beds (support system for ISS poles, traction equipment) with integrated mounting
Sleeve dimension	The adaptor is designed for sleeves that are open on both sides with Ø 20-44 mm, length 35-170 mm
Fastening pole	400 mm long with 16 mm-W-pin
Material	POM, steel
Color	Silver
Weight (nett)	0.73 kg
For pin Ø	16 mm-W with removal guard
ORDER NO.	D14.193.000 - white aluminum

BEDSIDE TABLE ADAPTOR

Description	Extension adapter on the bedside table
Material	Galvanized steel, black
Color	Black
Weight (nett)	0.02 kg
for pin Ø	16 mm-W with removal guard
ORDER NO.	D14.152.000



RAIL CLAMP

Material	Aluminium
Quality	natural anodized
Wall Rail system	25-35 x 8-10 mm
Weight (nett)	0.16 kg
for pin Ø	16 mm-W with removal guard
ORDER NO.	D13.269.000

WALL BRACKET

Material	Polyamide GF
Weight (nett)	0.14 kg
for pin Ø	16 mm-W with removal protection with removal guard
ORDER NO.	D13.231.000 - pure white

GERMANY HEAD OFFICE

Herbert Waldmann GmbH & Co. KG
 Postfach 50 62
 78057 VILLINGEN-SCHWENNINGEN
 GERMANY
 Phone +49 7720 601 -0
 Phone +49 7720 601 -100 (sales)
 Fax +49 7720 601-290
 www.waldmann.com
 sales.germany@waldmann.com

FRANCE

Waldmann Eclairage S.A.S.
 Zone Industrielle
 Rue de l'Embranchement
 67116 REICHSTETT
 FRANCE
 Phone +33 3 88 20 95 88
 Fax +33 3 88 20 95 68
 www.waldmann.com
 info-fr@waldmann.com

ITALY

Waldmann Illuminotecnica S.r.l.
 Via della Pace, 18 A
 20098 SAN GIULIANO MILANESE (MI)
 ITALY
 Phone +39 02 98 24 90 24
 Fax +39 02 98 24 63 78
 www.waldmann.com
 info-it@waldmann.com

NETHERLANDS

Waldmann BV
 Lingewei 19
 4004 LK TIEL
 NETHERLANDS
 Phone +31 344 631019
 Fax +31 344 627856
 www.waldmann.com
 info-nl@waldmann.com

AUSTRIA

Waldmann Lichttechnik Ges.m.b.H.
 Gewerbepark Wagram 7
 4061 PASCHING/LINZ
 AUSTRIA
 Phone +43 7229 67400
 Fax +43 7229 67444
 www.waldmann.com
 info-at@waldmann.com

SWEDEN

Waldmann Ljusteknik AB
 Skebokvarnsvägen 370
 124 50 BANDHAGEN
 SWEDEN
 Phone +46 8 990 350
 Fax +46 8 991 609
 www.waldmann.com
 info-se@waldmann.com

SWITZERLAND

Waldmann Lichttechnik GmbH
 Benkenstrasse 57
 5024 KÜTTIGEN
 SWITZERLAND
 Phone +41 62 839 1212
 Fax +41 62 839 1299
 www.waldmann.com
 info-ch@waldmann.com

GREAT BRITAIN

Waldmann Lighting Ltd.
 7 Millfield House
 Croxley Green Business Park
 WATFORD WD18 8YX
 GREAT BRITAIN
 Phone +44 1923 800030
 Fax +44 1923 800016
 www.waldmann.com
 info-uk@waldmann.com

USA

Waldmann Lighting Company
 9 W. Century Drive
 WHEELING, ILLINOIS 60090
 USA
 Phone +1 847 520 1060
 Fax +1 847 520 1730
 www.waldmannlighting.com
 waldmann@waldmannlighting.com

CHINA

Waldmann Lighting (Shanghai) Co., Ltd.
 Part A11a, No. Five Normative Workshop
 199 Changjian Road, Baoshan
 SHANGHAI, P.R.C. 200949
 CHINA
 Phone +86 21 5169 1799
 Fax +86 21 3385 0032
 www.waldmann.com
 info-cn@waldmann.com

SINGAPORE

Waldmann Lighting Singapore Pte. Ltd.
 22 Cross Street, #02-50/51
 South Bridge Court
 SINGAPORE 048421
 SINGAPORE
 Phone +65 6275 8300
 Fax +65 6275 8377
 www.waldmann.com
 sales-sg@waldmann.com

INDIA

Waldmann Lighting Pvt. Ltd.
 Plot No. 52
 Udyog Vihar
 Phase-VI, Sector-37
 GURGAON-122001, Haryana
 INDIA
 Phone +91 124 412 1600
 Fax +91 124 412 1611
 www.waldmann.com
 sales-in@waldmann.com

List of references

The content draws on the following sources:
 Shutterstock: title
 Gettyimages: p. 4
 All other photos and graphics originate from Derungs Licht AG and the Waldmann Group.

Center of Expertise for Care & Health:

DERUNGS LICHT AG

Hofmattstrasse 12
 9200 Gossau
 Switzerland
 Phone +41 71 388 11 66
 Fax +41 71 388 11 77
 www.derungslicht.com
 mailbox@derungslicht.com

Derungs Licht AG is a member of the
 Waldmann Group.

